

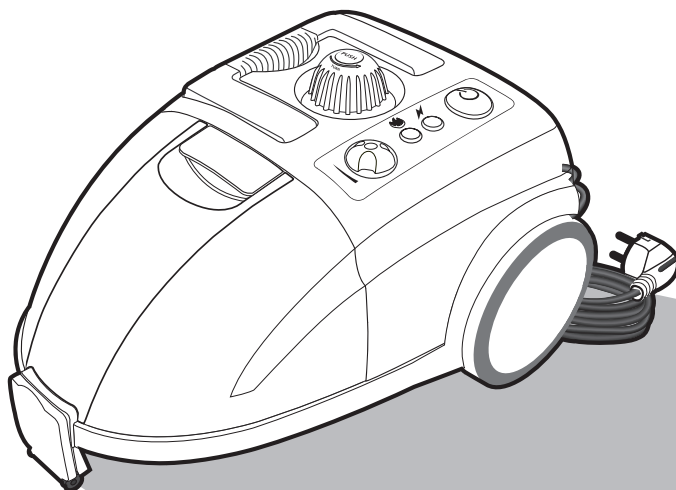


Vax Careline: (UK) 0844 412 8455
(ROI) 1-800 928 308

Steam Cleaner

steam
compact cleaner

Vax model number:
V-081 Series



instruction manual

Version 1.0

vax.co.uk

Please read carefully before using this cleaner.
Always fully extend the mains cable before use.
Retain for future reference.

vax.co.uk

1. Diagram

V-081 Series

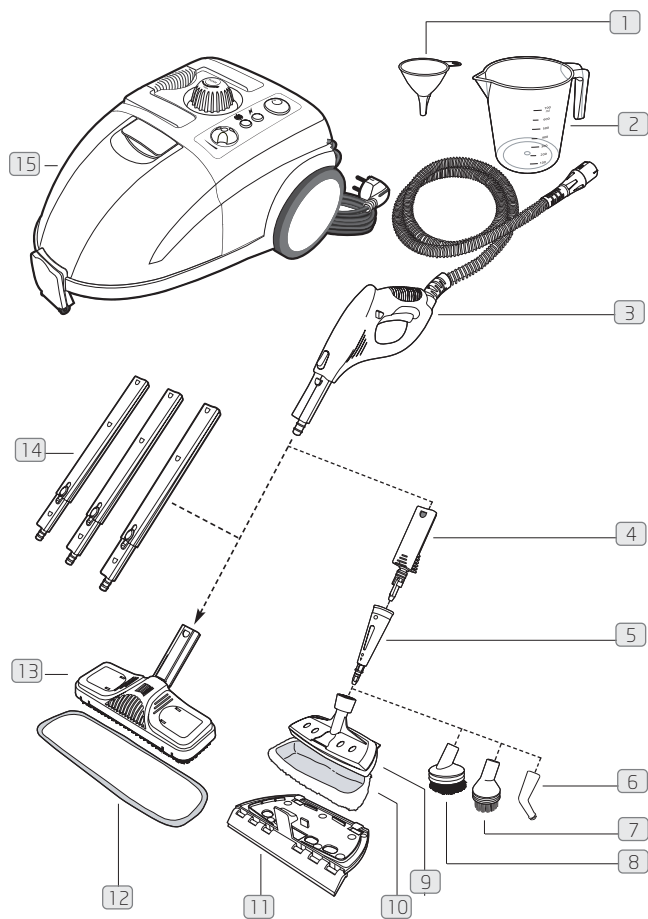


Fig1/1

- | | |
|-------------------------------------|--|
| 1 Funnel | 9 2-in-1 attachment (steam attachment) |
| 2 Measuring jug | 10 Cotton cover |
| 3 Steam gun with hose and connector | 11 2-in-1 attachment (window attachment) |
| 4 Accessory adaptor | 12 Large cleaning cloth |
| 5 Detail nozzle | 13 Floor nozzle |
| 6 Jet nozzle attachment | 14 3 extension tubes |
| 7 Nylon brush | 15 Steam cleaner |
| 8 Metal brush | |

2. Safety Information

FOR HOUSEHOLD USE ONLY.



When using the steam cleaner, basic safety precautions should always be observed, including the following:

1. Do not leave the steam cleaner unattended when plugged in. Unplug it from socket when not in use.
2. To prevent electric shock do not use outdoors.
3. Not to be used as a toy. Close supervision is necessary when used near children or the infirm.
4. Use only as described in this manual.
5. Do not use the vacuum cleaner if it has been dropped, damaged, left outdoors or dropped into water. Do not use the vacuum cleaner with a damaged cord or plug. If the supply cord is damaged, it must be replaced by the manufacturer or a recommended Service Agent to avoid hazard and invalidating the guarantee.
6. Do not pull or carry by the cord, use the cord as a handle, allow the cord to come into contact with hot or sharp surfaces or close a door on the cord.
7. Do not unplug by pulling on the cord.
8. Do not handle the plug or steam cleaner with wet hands.
9. Do not put any objects into openings or operate with openings blocked.
10. Do not use without the tank cap in place.
11. Turn off all controls before unplugging.
12. Keep the steam cleaner on the floor.
13. Do not use an extension cord.
14. Do not attempt to remove blockages with sharp objects as they may cause damage.
15. Store indoors, put away after use to prevent tripping accidents.
16. Using improper voltage may result in damage to the steam cleaner and possible injury to the user. The correct voltage is listed on the rating label.
17. This steam cleaner is intended for household use only.
18. A hazard may occur if the steam cleaner runs over the power supply cord.
19. The steam cleaner must be kept level during operation.
20. Never immerse the steam cleaner in water or other liquids.
21. Keep the steam cleaner away from rain and moisture. The steam cleaner is not suitable for outdoor use.
22. Do not operate the steam cleaner without water in the tank. Always top up with water in good time.
23. Empty the water tank when the steam cleaner is not in use.
24. Never fill the tank with anything other than water. Never put additives (such as perfume, stain remover or products containing alcohol) in the water as they may damage the steam cleaner or make it dangerous to use.
25. Always remove the mains plug from the socket and allow this steam cleaner to cool down completely before topping up with water.
26. Do not over fill the tank. Do not exceed the maximum prescribed filling level. Please use the measuring jug and funnel included.
27. Ensure that the water tank's closure cap has been screwed down fully before use.
28. Only carry the steam cleaner by the carry handle.
29. Do not touch any hot areas on the steam cleaner. It is normal for the steam cleaner to heat up during operation.
30. Do not use the steam cleaner to treat any items of clothing that are still being worn on the body.
31. The force and heat of the steam may have an adverse effect on some materials. Always check whether a surface is suitable for treatment with the steam cleaner by carrying out a test beforehand on a concealed area.
32. Always include these operating instructions if passing the steam cleaner on to a third party.
33. Never aim the steam cleaner at people, animals or plants (risk of scalding)! Do not aim the steam cleaner at electrical systems or wires.
34. Do not operate the steam cleaner without supervision. Please always switch the appliance off and remove the mains plug from the socket if leaving the work area.
35. The steam cleaner is fitted with a thermostat and a thermal cut-out as protection against overheating.
36. Accessories become hot during use - allow them to cool down before handling.
37. Please ensure all parts are correctly fitted before using the product.
38. Do not use your steam cleaner if damaged/ faulty. Please call our Vax Careline on 0844 412 8455.

PLEASE KEEP THESE INSTRUCTIONS FOR FURTHER USE.

3. Assembly

IMPORTANT: Never unscrew the tank cap during use. The tank is under pressure.



IMPORTANT: Do not operate a damaged appliance or damaged accessories.



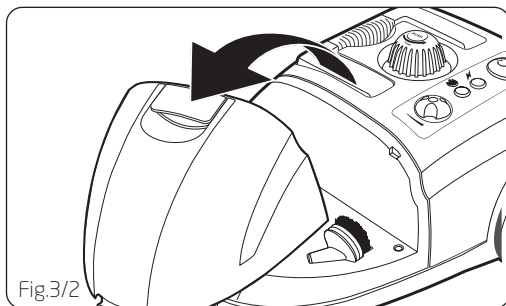
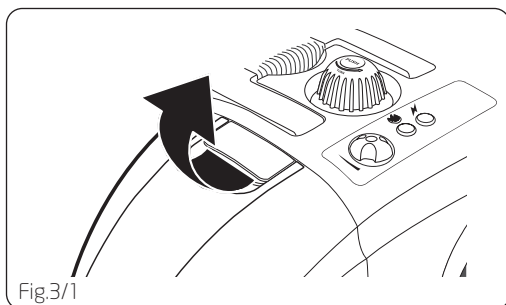
IMPORTANT: This steam cleaner is not intended for commercial use.



NOTE: Carpets should be dry vacuumed thoroughly before using the steam cleaner.

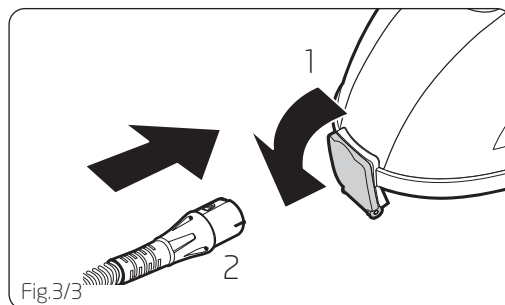
NOTE: If the supply cord is damaged, it must be replaced by the manufacturer, a Vax service agent or similarly qualified persons in order to avoid hazard

The hose with steam gun must be connected to the appliance and the desired accessory must be attached before the steam cleaner can be used. The steam cleaner has an accessories compartment that houses the detail nozzle, both brush nozzles, the jet nozzle and the 2-in-1 nozzle. Open the accessories compartment by pulling the locking handle upwards and lifting the transparent cover of the accessories compartment off towards the front (Figs.3/1 and 3/2).

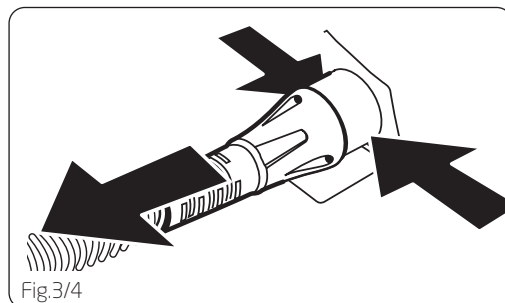


the cover. Slide the nose of the cover into the recess above the steam socket and press it down firmly at the back until the cover clicks into place.

First of all connect the hose to the steam socket on the front of the steam cleaner. To do this, flip the black cover flap down and push the connector of the hose firmly into the steam socket until it clicks into place (Fig.3/3).

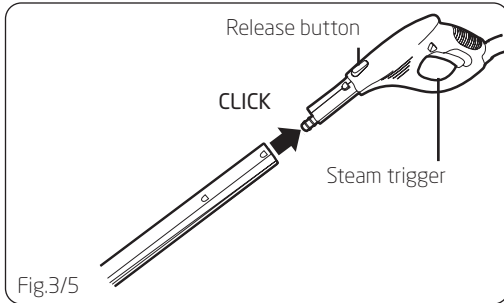


To remove the hose, press in both release buttons on the right-hand and left-hand sides of the steam connector and pull it out of the steam socket (Fig.3/4).

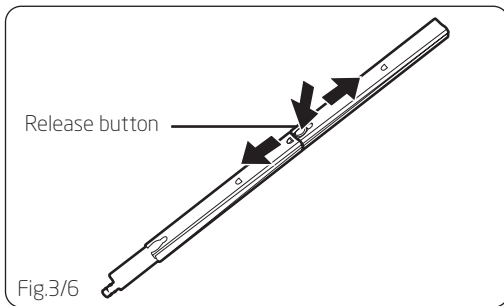


Extension Tubes

Assemble the extension tubes if the steam cleaner is to be used to clean floors or difficult to reach areas. To do this, push the open end of a tube onto the steam gun. Push it onto the steam gun until the release button of the steam gun clicks into place (Fig.3/5). Add one, two or all three extension tubes as required.



Press in the appropriate release button and pull the tubes apart with a downward movement to take the extension tube off again (Fig.3/6).



4. How to operate

WARNING: The steam cleaner must always be disconnected from the mains when filling or topping up with water.

Filling the tank

The steam cleaner has a built-in water tank holding 1.6 litres. Unscrew the tank cap (Fig.4/1) by pressing the cap down and simultaneously turning it anti-clockwise. Use the funnel and measuring jug supplied when filling with water (Fig.4/2).

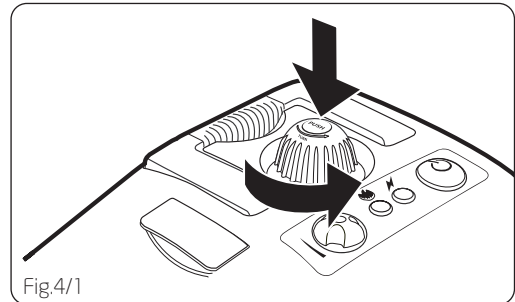


Fig.4/1

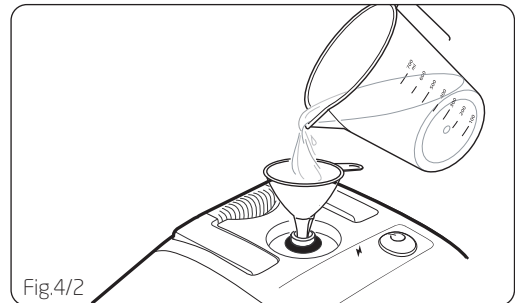


Fig.4/2

NOTE: Only fill with pure water without additives of any kind, e.g. perfume, cleaning agents, alcohol, as they could damage the machine and make it dangerous to use.

It is advisable to use limescale deposits if your water is very hard (over 2.5mmol/l or 21°dH). Otherwise boil the water first to extend the life of the steam cleaner.

IMPORTANT: Do not exceed the maximum quantity of 1.6 litres when filling the tank!

Screw the tank cap firmly back on by turning it clockwise while pressing down.

NOTE: The heating up time will be shortened if warm water is used when filling.

Connection to Mains Supply

Plug the steam cleaner mains plug into a properly installed socket (Fig.4/3) and switch the steam cleaner on by pressing the on/off switch (Fig.4/4).

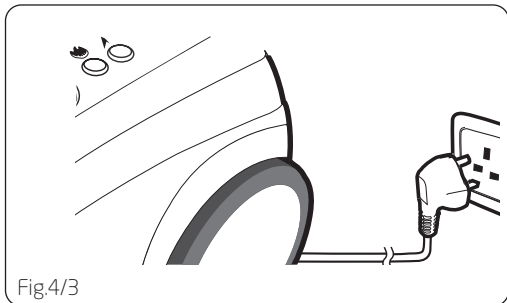


Fig.4/3

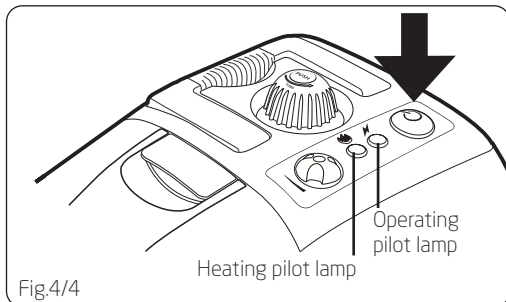


Fig.4/4

The green operating pilot lamp and the orange heating pilot lamp (Fig.4/4) light up. The operating pilot lamp lights up as soon as the steam cleaner has been plugged in and switched on. The heating pilot lamp indicates that the steam cleaner is currently heating up. The operating temperature is reached after approx. 11 minutes and the orange heating pilot lamp goes out. The appliance is now ready for use.

Using the Steam Cleaner

! **IMPORTANT:** Never aim the steam outlet of the steam gun at people, animals, plants or electrical systems (e.g. oven or socket). There is a risk of scalding or electric shock.

! **IMPORTANT:** Before use please check all connections are fitted securely together.

NOTE: Residual steam continues to escape for a few seconds after switching off the steam function.

Release the locking device (child-proof device) by pushing the triangular pin on the right-hand side of the steam gun in towards the left (Fig.4/5).

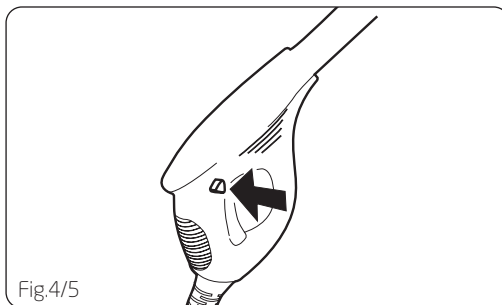


Fig.4/5

Hot steam now escapes if the steam button is operated. First of all hold the steam gun over an old cloth to absorb any initial spray water. Operate the steam button until the steam is emitted evenly. Cleaning can now begin.

NOTE: Always test the steam cleaner first on inconspicuous or invisible areas of the surfaces or fabrics to be cleaned to check their tolerance to hot steam.

- Steam may result in bleaching of painted/ varnished wood.
- Steam may discolour shiny plastics.
- Acrylic, velvet and linen react very sensitively to the hot steam.
- Do not use the steam cleaner on Dralon fibres without first having carried out a suitability test on a concealed area.

For understandable reasons, the manufacturer cannot be held responsible for damage to objects, materials, people, animals or plants that occurs due to unsuitable use of hot steam or due to improper use of the appliance.

NOTE: The steam cleaner is fitted with an overheating cut-out. The steam cleaner switches off automatically on reaching a temperature of 180°C to prevent overheating. Disconnect from the mains immediately by removing the plug. The steam cleaner may be operated again after a 30-minute cooling period.

Do not aim the steam outlet at one point for too long. Loosen the dirt by moving the steam jet backwards and forwards. The flow rate of the steam emitted can be regulated by turning the steam controller and can be adjusted to the level required. Turn the steam controller clockwise for less steam and anti-clockwise for more steam (Fig.4/6).

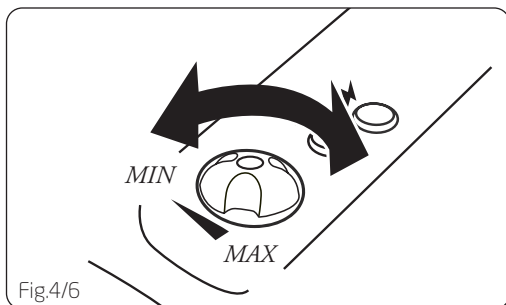


Fig.4/6

Do not tip or tilt the steam cleaner by more than 45° during use and ensure that the appliance always stands on a firm base. One full tank is enough for a maximum of 50 minutes use. Do not leave the machine unsupervised while switched on and if necessary use the child-proof lock to secure the steam switch. To do this, press the triangular pin on the left-hand side of the steam gun in to the right.

! IMPORTANT: The housing and accessories become hot during operation. Allow the steam cleaner to cool down before changing the accessories. Never open the tank cap whilst the steam cleaner is switched on as the tank is under pressure.

Topping Up with Water

The tank must be topped up if the steam flow emitted starts to decrease. Switch off the steam cleaner by pressing the on/off switch. The green operating pilot lamp goes off. Press the steam button on the steam gun to release the remaining pressure and then lock the gun. Remove the mains plug from the socket and allow the appliance to cool down. Vax recommend allowing the steam cleaner to cool for at least 15 minutes. Open the tank cap by pressing it down and turning it anti-clockwise.

! WARNING: Hot steam may escape on opening. There is a risk of burns from the cap thread and the tank.

Top up with water using the measuring jug and funnel then carefully close the tank cap again. The steam cleaner can now be plugged in again and switched on. The steam cleaner is ready for use as soon as the heating pilot lamp goes off.

5. Accessories

Floor Nozzle

Attach the floor nozzle to the end of the extension tube. Ensure that the nozzle clicks into place on assembly (Fig.5/1).

The floor nozzle is ideal for cleaning washable wall and floor coverings. It may be used with or without the cleaning cloth. However, Vax recommend using the cloth to protect coverings in the case of sensitive surfaces such as wood or linoleum.

Place the floor nozzle on the cleaning cloth and secure the overhanging material under the cleaning cloth clips on the left and right. Press on the inner sides of the holder, then open the clips and the cleaning cloth can be secured in place (Fig.5/1).

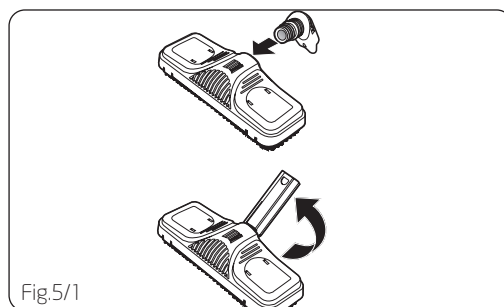


Fig.5/1

To take the floor nozzle off again, press in the appropriate release button (see Fig.5/2) and pull the nozzle off with a downward movement.

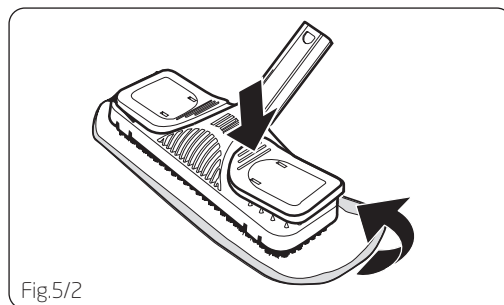
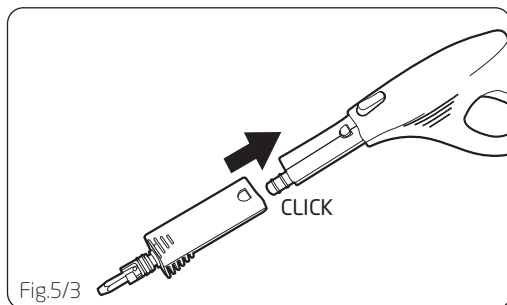


Fig.5/2

Accessory Adaptor

The steam cleaner has a range of different attachment nozzles to enable the most effective and thorough cleaning of different surfaces. First assemble the accessory adaptor so that these attachments can be connected to the steam hose. The accessory adaptor can be attached directly to both the steam gun and the end of one or more extension tubes.

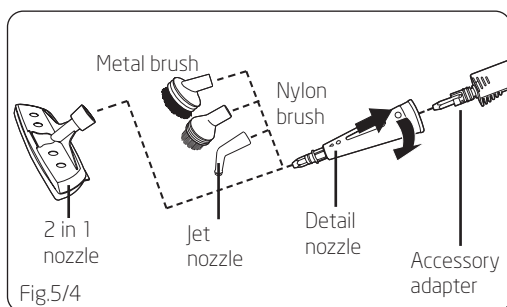
Ensure that the adaptor is firmly pushed on until it clicks into place (Fig.5/3). Press in the appropriate release button and pull apart with a downward movement to take the adaptor off again.



Detail Nozzle

The detail nozzle may be used on its own for cleaning or may also be fitted with one of the brush nozzles, the jet nozzle or the 2-in-1 nozzle. This detail nozzle is attached using a bayonet-style fitting.

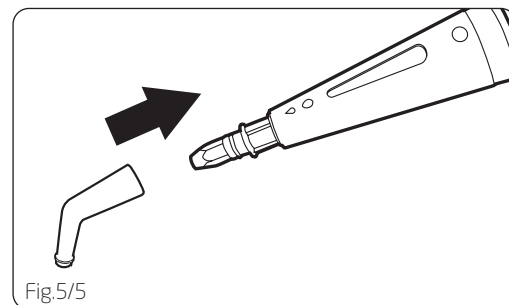
Push the nozzle onto the accessory adaptor and give it a firm quarter-turn in the direction of the arrow stamped on the nozzle (Fig.5/4).



Reverse the sequence to take the detail nozzle off again: twist the nozzle a quarter-turn in the opposite direction to the arrow and pull it off with a downward movement.

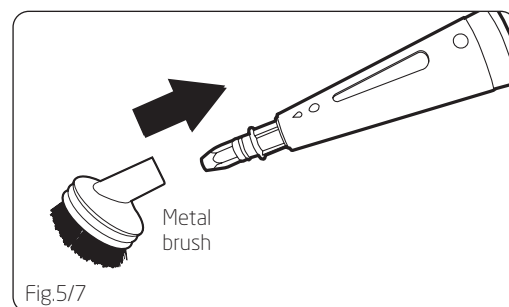
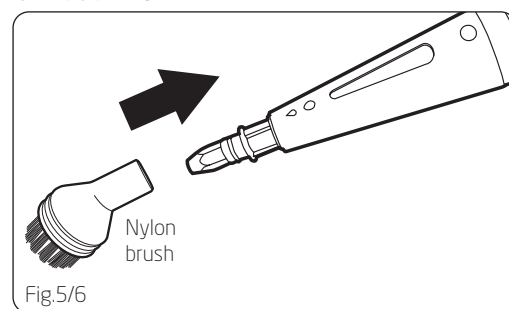
Jet Nozzle

Simply push the jet nozzle firmly onto the detail nozzle to attach it (Fig.5/5). This nozzle makes it possible to clean hard to reach places such as corners, joints and toilets with ease. The jet nozzle may be removed by pulling it off with a downward movement.



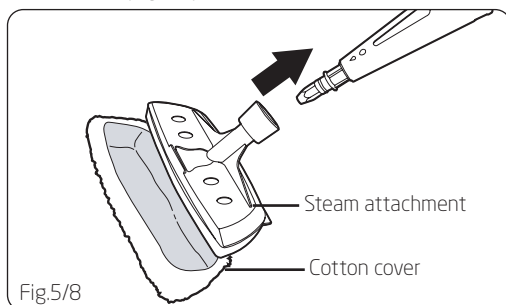
Brush Nozzles

The two brush attachments are pushed firmly onto the detail nozzle in the same way as the jet nozzle. Even the most stubborn dirt can be removed e.g. from blinds, central heating radiators, valves, etc using the small nylon brush (Fig.5/6). The larger metal brush (Fig.5/7) is suitable for heavy staining on less sensitive materials such as stainless steel or stone. The brush nozzles are removed by simply pulling them off with a downward movement.

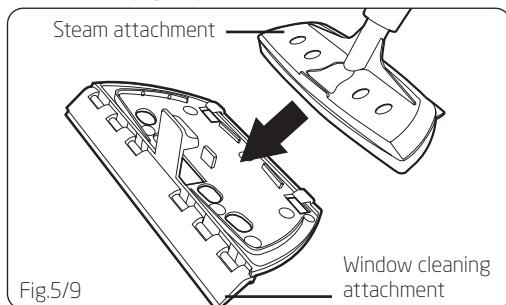


2-in-1 Nozzle

The 2-in-1 nozzle consists of a right-angled steam attachment onto which the window cleaner can be attached. Push the right-angled steam attachment firmly onto the detail nozzle. Pull the cotton cover over the nozzle for more thorough cleaning and to protect the work surface (Fig.5/8).



Fix the window cleaner with the rubber blade to the right angled steam attachment if windows, mirrors or tiles are to be cleaned (Fig.5/9).



! **IMPORTANT:** Glass may crack if subjected to thermal shock. Pre-heat areas of glass prior to steam cleaning by spraying steam in a wider arc from a distance of 20–25cm. Slowly reduce the distance to 10–15cm to heat the glass up further.

6. Cleaning

! **IMPORTANT:** Always ensure before cleaning or maintaining the steam cleaner that it is switched off and unplugged from the mains. Only clean the steam cleaner by wiping over the housing with a slightly moistened cloth. Do not use any cleaning agents, abrasives or alcohol since they may damage the housing. Vax recommend that the tank be rinsed out after 5 filling operations at the latest if water hardness is above 1.8 mmol/l (10°dH). Information regarding local water hardness may be obtained from the water or utility company. Vax recommend filling the water tank with water and giving it a good shake to clean it. This will loosen any limescale that has been deposited on the bottom of the steam cleaner. Pour out the water and allow the tank to dry out completely before closing it. The water tank should be treated with limescale remover approx. every 6 months to prolong the steam cleaner's life. Place one (or at most two) limescale removal sticks in 1 litre of warm water (50°C) and fill the water tank with it. Allow the solution to work for approx. 30 minutes then pour away the water with the dissolved solids. Repeat this process if necessary then rinse out the tank with water.

7. Storage

Switch the steam cleaner off. The green operating pilot lamp goes off. Press the steam button on the steam gun (Fig.7/1) to release the remaining pressure. Secure the steam gun by pushing the locking pin on the left hand side of the handle in to the right.

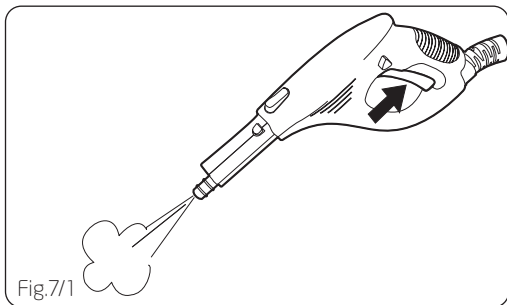


Fig.7/1

Remove the mains plug from the socket and allow the appliance to cool down. Empty the water tank so that no deposits can settle (Fig.7/2).

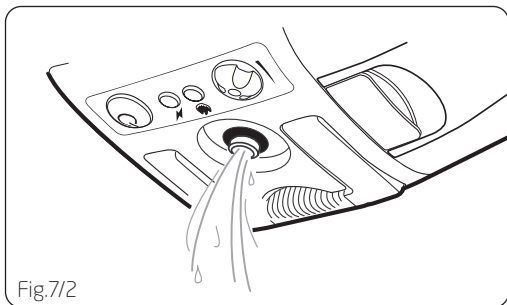


Fig.7/2

The steam cleaner must have cooled down completely before being put away. Store the steam cleaner so that it is out of the reach of children. The extension tube with assembled floor nozzle may be inserted in the parking holder on the back of the steam cleaner for storage purposes or for short breaks while working.

8. Troubleshooting

! **WARNING:** To reduce the risk of personal injury, unplug the steam cleaner before performing maintenance or troubleshooting checks.

PROBLEM: Operating pilot lamp fails to light.

Cause: The steam cleaner is not plugged into a socket or is not switched on.

Solution: Insert the mains plug into a socket or switch the steam cleaner on.

Cause: The socket is faulty.

Solution: Check the socket by unplugging the steam cleaner and plugging in a different appliance.

Cause: The power cable is damaged.

Solution: Have the cable replaced by a Vax Service Agent.

PROBLEM: No steam is emitted when the steam button is pressed.

Cause: The child proof lock is preventing release of the steam button.

Solution: Push the pin on the right-hand side of the steam gun inwards and to the left.

Cause: The water tank is empty

Solution: Top up with water.

PROBLEM: Only a very small amount of steam flows out.

Cause: The steam controller is set to minimum.

Solution: Turn the steam controller anticlockwise until sufficient steam is emitted.

PROBLEM: The steam cleaner takes a very long time to heat up.

Cause: The water tank is furred up.

Solution: De-scale the water tank.

9. UK Service & Help

Vax Careline:**(UK) 0844 412 8455****(ROI) 1-800 928 308**

Monday-Friday 8.30am to 6.30pm

Saturday-Sunday 9.00am to 5.00pm

Any queries or concerns about using the Vax, call the Vax Careline. Please make a note of the serial number and model. For the nearest Service Agent, please call the Vax Careline.

vax.co.uk

10. Technical Specification

Voltage:	220-240V ~50Hz
Wattage:	1500 W
Steam pressure:	3.5 bar (max)
Permissible pressure	5 bar
Water tank:	1.6 litres (max)
Weight:	4.5 kg (without accessories)

Subject to technical change without notice.





EEC STATEMENT OF COMPLIANCE

Manufacturer/EEC importer: Vax Limited, hereby on our own responsibility, declare that the Vax V-081 Series is manufactured in compliance with the following Directives:

Safety: 2006/95/EC Low Voltage Directive
EMC: 2004/108/EC Electromagnetic Compatibility Directive



Waste electrical products should not be disposed of with household waste. Please recycle where facilities exist. Check with your Local Authority or retailer for recycling advice.

Vax Ltd., Kingswood Road, Hampton Lovett, Droitwich, Worcestershire, WR9 0QH, UK
email: info@vax.co.uk - website: vax.co.uk